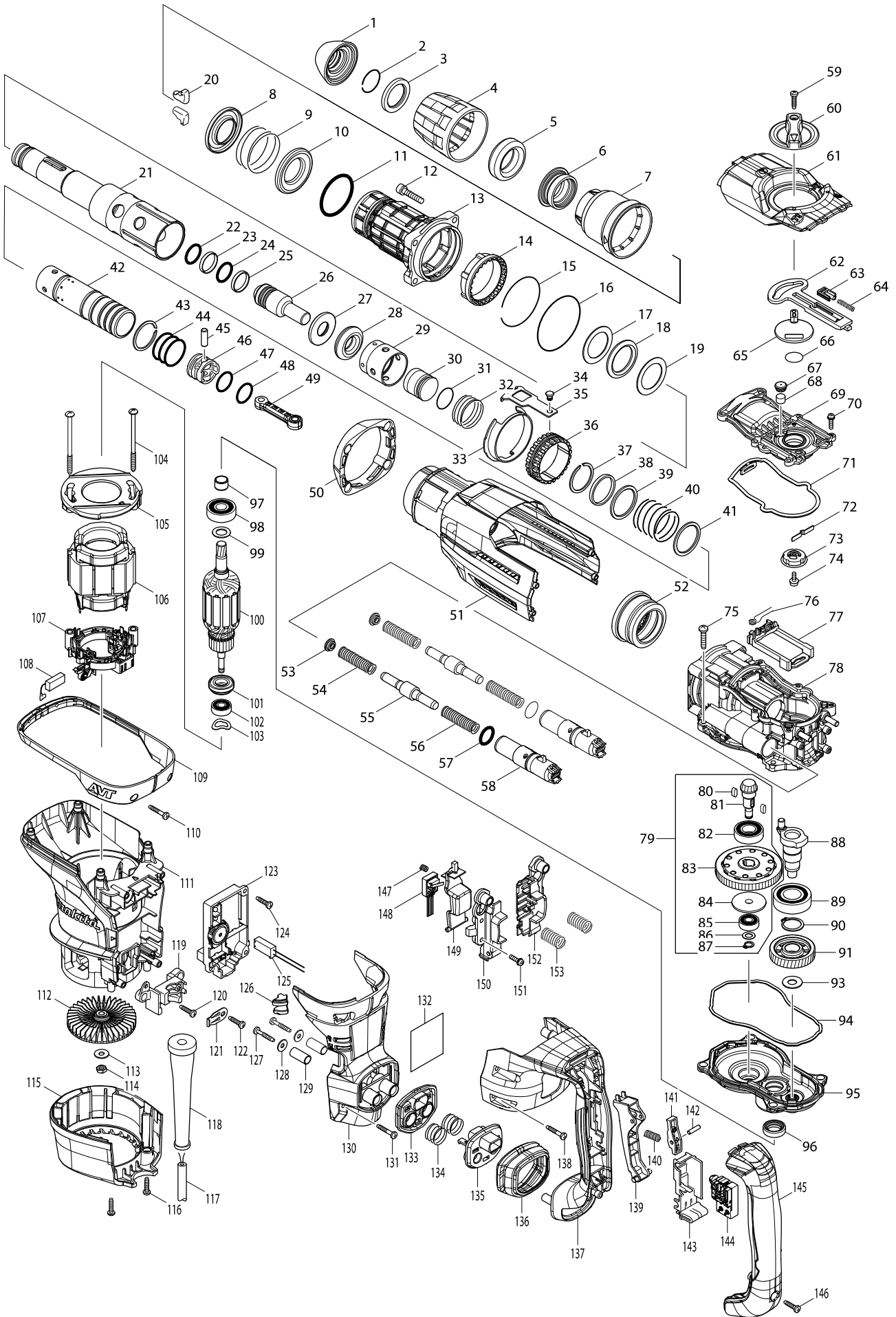


# Model No. HR4013C 40MM ROTARY HAMMER



# Model No. HR4013C 40MM ROTARY HAMMER

Item	Parts No.	Description	I/C	QTY	N/O	Opt. 1	Opt. 2	NOTE
001	286292-7	TOOL HOLDER CAP		1	100			
002	233948-3	RING SPRING 25		1	100			
003	257308-5	RING 28		1	100			
004	454330-5	CHUCK COVER		1	100			
005	262167-4	RUBBER RING 30		1	100			
006	326272-2	CHUCK RING		1	100			
007	454331-3	RELEASE COVER		1	100			
008	346670-4	SPRING GUIDE		1	100			
009	234288-2	COMPRESSION SPRING 46		1	100			
010	346670-4	SPRING GUIDE		1	100			
011	213615-6	O RING 46		1	100			
012	922351-0	HEX. SOCKET HEAD BOLT M6X30		4	100			
013	141956-9	BARREL COMPLETE		1	100			
C10	213246-1	O-RING 38 SA1004		1	100			
C20	213490-0	OIL SEAL 32		1	100			
C30	213492-6	O-RING 32		1	100			
014	454337-1	LOCK SLEEVE		1	100			
015	234290-5	RING SPRING 59		1	100			
016	213707-1	O RING 65		1	100			
017	267469-3	FLAT WASHER 32		1	100			
018	262168-2	RUBBER RING 32		1	100			
019	267469-3	FLAT WASHER 32		1	100			
020	310257-8	TOOL RETAINER		2	100			
021	326268-3	TOOL HOLDER		1	100			
022	213317-4	O RING 20		1	100			
023	213392-0	FLUORIDE RING 25		1	100			
024	213317-4	O RING 20		1	100			
025	213392-0	FLUORIDE RING 25		1	100			
026	326269-1	IMPACT BOLT		1	100			
027	326274-8	RING 17		1	100			
028	262166-6	RUBBER RING 18		1	100			
029	454347-8	SLIDE SLEEVE		1	100			
030	326270-6	STRIKER		1	100			
031	213695-2	O-RING 22		1	100			
032	234289-0	COMPRESSION SPRING 33		1	100			
033	346673-8	GUIDE RING		1	100			
034	256548-2	FLAT FILLISTER HEAD PIN 6		1	100			
035	346671-2	LINK PLATE		1	100			
036	313255-1	DRIVING SLEEVE		1	100			
037	257991-8	RETAINING RING (EXT) WR-32.5		1	100			
038	257340-9	RING 33		1	100			
039	267470-8	FLAT WASHER 33		1	100			
040	234287-4	COMPRESSION SPRING 34		1	100			
041	267470-8	FLAT WASHER 33		1	100			
042	332063-1	CYLINDER 28.5		1	100			
043	257991-8	RETAINING RING (EXT) WR-32.5		1	100			
044	213406-5	O RING 30		3	100			
045	256197-5	PIN 7		1	100			

# Model No. HR4013C 40MM ROTARY HAMMER

Item	Parts No.	Description	I/C	QTY	N/O	Opt. 1	Opt. 2	NOTE
046	419004-5	PISTON		1		100		
047	213379-2	O RING 21		1		100		
048	213695-2	O-RING 22		1		100		
049	454317-7	CONNECTING ROD		1		100		
050	424560-2	HOUSING CAP		1		100		
051	141957-7	HOUSING COVER A COMPLETE		1		100		
052	227613-4	SPIRAL BEVEL GEAR 26		1		100		
053	454342-8	SPRING PLATE		2		100		
054	234286-6	COMPRESSION SPRING 11		2		100		
055	326273-0	COUNTER WEIGHT		2		100		
056	234286-6	COMPRESSION SPRING 11		2		100		
057	213325-5	O RING 19		2		100		
058	142289-5	HOLDER COMPLETE		2		100		
059	265995-6	TAPPING SCREW 4X18		1		100		
060	454326-6	CHANGE LEVER		1		100		
061	318988-3	CRANK CAP COVER		1		100		
062	454339-7	CONTROL PLATE		1		100		
063	454340-2	SLIDE PLATE		1		100		
064	234284-0	COMPRESSION SPRING 4		1		100		
065	454345-2	CRANK LEVER		1		100		
066	213262-3	O RING 18		1		100		
067	424556-3	FILTER CAP		1		100		
068	443182-9	FILTER		1		100		
069	454319-3	CRANK CAP		1		100		
070	911128-8	P.H.SCREW M4X16 WITH WR		6		100		
071	424559-7	SEAL RING B		1		100		
072	232280-2	LEAF SPRING		1		100		
073	454318-5	LINK LEVER		1		100		
074	911511-9	PAN HEAD SCREW M4X10		1		100		
075	266041-8	TAPPING SCREW 5X25		4		100		
076	233603-7	TORSION SPRING 7		1		100		
077	454338-9	LINK GUIDE		1		100		
078	141953-5	CRANK HOUSING A COMPLETE		1		100		
079	126290-8	TORQUE LIMITER ASSEMBLY		1		100		
D10		INC. 80-87						
080	254239-9	KEY 4		2		100		
081	227612-6	SPIRAL BEVEL GEAR 7		1		100		
082	211232-6	BALL BEARING 6002LLU		1		100		
083	141959-3	TORQUE LIMITER COMPLETE		1		100		
084	324727-1	SHOULDER WASHER 8		1		100		
085	210005-4	BALL BEARING 608DDW		1		100		
086	253215-0	FLAT WASHER 8		1		100		
087	961004-6	RETAINING RING S-8		1		100		
088	326271-4	CRANK SHAFT		1		100		
089	211332-2	BALL BEARING 6004LLU		1		100		
090	961060-6	RETAINING RING S-20		1		100		
091	227772-4	HELICAL GEAR 37		1		100		
093	253180-3	FLAT WASHER 10		1		100		

# Model No. HR4013C 40MM ROTARY HAMMER

Item	Parts No.	Description	I/C	QTY	N/O	Opt. 1	Opt. 2	NOTE
094	424558-9	SEAL RING A		1		100		
095	141955-1	GEAR HOUSING COMPLETE		1		100		
096	213231-4	OIL SEAL 15		1		100		
097	331596-3	SLEEVE 12		1		100		
098	211137-0	BALL BEARING 6201LLU		1		100		
099	253744-3	FLAT WASHER 12		1		100		
D10		INC. 97,98,99,101,102						
100A	513886-8	ARMATURE ASS'Y 115V		1		151		
100B	513888-4	ARMATURE ASS'Y 220-240V		1		151		
101	681650-6	INSULATION WASHER		1		100		
102	210005-4	BALL BEARING 608DDW		1		100		
103	267721-9	WAVE WASHER 15		1		100		
104	266568-8	TAPPING SCREW 5X80		2		100		
105	454329-0	BAFFLE PLATE		1		100		
106A	625756-0	FIELD 115V		1		152		
106B	625758-6	FIELD 220-240V		1		152		
107A	632A84-2	BRUSH HOLDE UNIT		1	*	100		
107B	632A84-2	BRUSH HOLDE UNIT		1		100		
107-1A	632E31-7	BRUSH HOLDE UNIT	S	1				
108A	194160-9	CARBON BRUSH CB-350		1	*	100		
108B	194160-9	CARBON BRUSH CB-350		1		100		
108-1A	197244-2	CARBON BRUSH CB-351	S	1				
109	454348-6	GUARD 40		1		100		
110	265999-8	TAPPING SCREW 4X25		2		100		
111	454316-9	MOTOR HOUSING		1		100		
112	240146-2	FAN 76		1		100		
113	253047-5	FLAT WASHER 6		1		100		
114	931303-0	HEX. NUT M6		1		100		
115	454328-2	REAR COVER		1		100		
116	265995-6	TAPPING SCREW 4X18		2		100		
117A	695228-9	POWER SUPPLY CORD 1.5-2-4.0		1		100		
117B	692623-4	POWER SUPPLY CORD 1.5-2-4.0		1		100		
118	682560-0	CORD GUARD 10		1		100		
119	419024-9	CORD CLAMP BASE		1		100		
120	265995-6	TAPPING SCREW 4X18		1		100		
121	687169-3	STRAIN RELIEF		1		100		
122	265995-6	TAPPING SCREW 4X18		1		100		
123A	620199-1	CONTROLLER		1		100		
123B	620200-2	CONTROLLER		1		100		
124	265995-6	TAPPING SCREW 4X18		1		100		
125	632B52-1	LEAD UNIT		1		100		
126	454346-0	LENS		1		100		
127	265999-8	TAPPING SCREW 4X25		2		100		
128	253194-2	FLAT WASHER 5		2		154		
129	257813-2	SLEEVE 9		2		100		
130	454320-8	HANDLE BASE		1		100		
131	266041-8	TAPPING SCREW 5X25		2		100		
132	814T16-7	HR4013C NAME PLATE		1		100		

**Model No. HR4013C 40MM ROTARY HAMMER**

Item	Parts No.	Description	I/C	QTY	N/O	Opt. 1	Opt. 2	NOTE
133	454343-6	DUST SUPPORT A		1		100		
134	234283-2	COMPRESSION SPRING 18.5		2		100		
135	454344-4	DUST SUPPORT B		1		100		
136	424557-1	DUST COVER		1		100		
137	454321-6	HANDLE A		1		100		
138	265999-8	TAPPING SCREW 4X25		4		100		
139	454332-1	SWITCH LEVER A		1		100		
140	234285-8	COMPRESSION SPRING 7		1		100		
141	454327-4	SUB LEVER		1		100		
142	268309-8	PIN		1		100		
143	154626-1	SWITCH HOLDER COMPLETE		1		100		
144	650678-5	SWITCH C3PA-1121		1		100		
145	454323-2	HANDLE COVER		1		100		
146	265995-6	TAPPING SCREW 4X18		1		100		
147	234281-6	COMPRESSION SPRING 6		1		100		
148	632A83-4	SWITCH UNIT		1		100		
149	454336-3	SWITCH LEVER C		1		100		
150	187692-3	SWITCH CASE SET		1		100		
D10		INC. 152						
151	911128-8	P.H.SCREW M4X16 WITH WR		4		100		
152	187692-3	SWITCH CASE SET		1		100		
D10		INC. 150						
153	234282-4	COMPRESSION SPRING 12		2		100		
154	807Y79-0	CLEAR LABEL		1				
A01	123138-5	SIDE GRIP ASSEMBLY		1		100		
A02	196792-8	SIDE HANDLE 73 SET		1		100		
A03	194683-7	GREASE VESSEL SET		1	*			
A03-1	198993-4	GREASE VESSEL SET	<	1				
A04	196278-2	PLASTIC CASE SET		1				
C10	837544-5	INNER TRAY		1		100		
C20	801Y02-7	INDICATION LABEL		1		100		
C30	162271-8	LATCH		2		100		
A05	331955-1	DEPTH GAUGE		1		100		
A06	443122-7	CLOTH		1		100		
E01A	655030-2	PLUG UK TYPE 16A-4H/110V		1				
E02A	654091-9	NON-INSULATED TERMINAL 1.25-2AF		2		100		